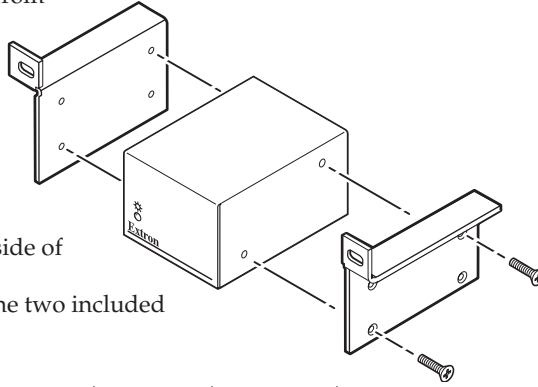


MBB 100 Back of the Rack Mounting Kit

NOTE Only Extron products that are 3 inches deep and most IP Link products can be mounted using this kit (part number 70-367-01).

This kit allows A/V products to be vertically mounted to the front or rear rack supports and face either the front or the rear of the rack. Refer to the drawing on the opposite side of this card.

1. Remove any installed rubber feet from the unit.
2. Remove two screws from one side of the unit. Retain the screws for possible later reassembly.
3. Attach one bracket to the side of the unit using the longer screws included in the kit.
4. Repeat steps 2 and 3 on the other side of the unit.
5. Mount the unit to the rack using the two included rack screws.



Extron **USA - West**
Headquarters
+800.633.9876
Inside USA / Canada Only
+1.714.491.1500
+1.714.491.1517 FAX

Extron **USA - East**
+800.633.9876
Inside USA / Canada Only
+1.919.863.1794
+1.919.863.1797 FAX

Extron **Europe**
+800.3987.6673
Inside Europe Only
+31.33.453.4040
+31.33.453.4050 FAX

Extron **Asia**
+800.7339.8766
Inside Asia Only
+65.6383.4400
+65.6383.4664 FAX

Extron **Japan**
+81.3.3511.7655
+81.3.3511.7656 FAX

Extron **China**
+400.883.1568
Inside China Only
+86.21.3760.1568
+86.21.3760.1566 FAX

Extron **Middle East**
+971.4.2991800
+971.4.2991880 FAX

68-938-01, Rev. B
01 10

Installation Example

